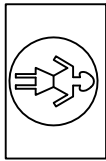


ROHS

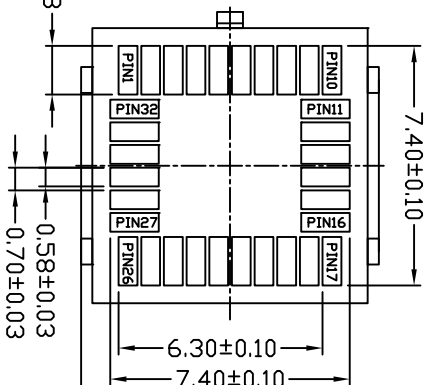
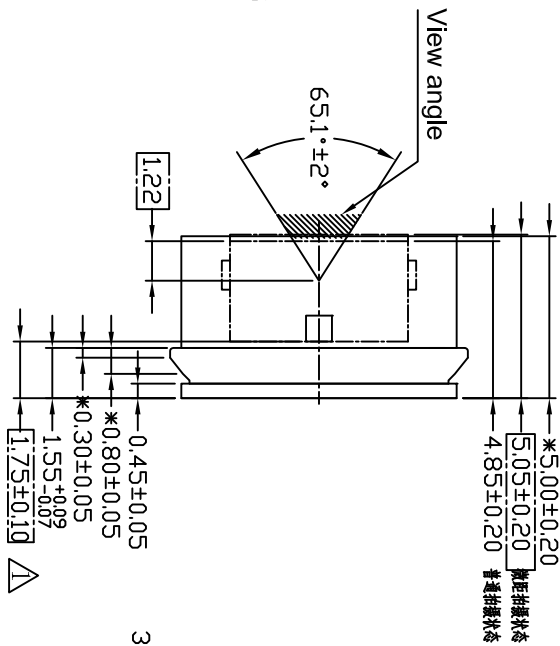
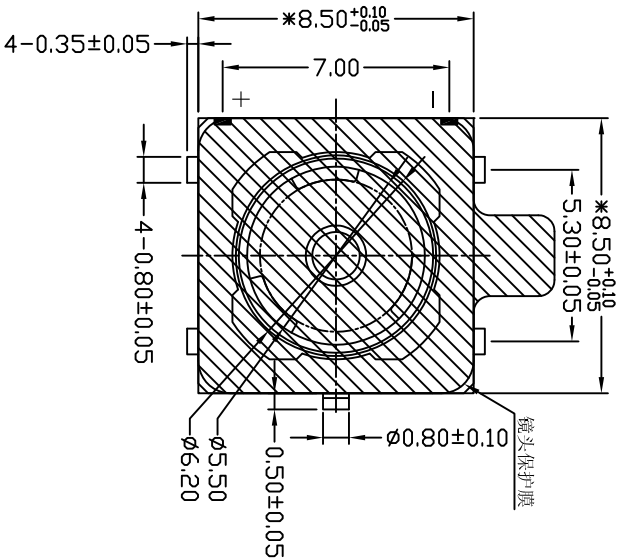


CM6787-0500BA-E Camera Module

Customer No.:

32PIN DESCRIPTION

PIN NO	NAME
1	GND
2	AF_GND
3	P_VDN
4	RESET
5	STROBE
6	GND
7	DDVDD
8	GND
9	MDIN
10	MDPI
11	GND
12	GND
13	GND
14	AVDD
15	AGND
16	GND
17	NC
18	GND
19	SIDD
20	XCLK
21	GND
22	AGND
23	SIIC
24	AF_VDD
25	AGND
26	AGND
27	MCP
28	MCN
29	GND
30	MDP0
31	MDIN
32	GND



主要参数 (Module Specification)

焦距 (FNL)	3.57 mm
光圈 (F. NO)	2.8
视场角 (View Angle)	65.1°
畸变 (Distortion)	< 1 %
景深 (Focusing Range)	10 cm ~ Infinity
感光芯片 (Chip Type)	OV5640
像素 (Array Size)	5.0M
镜头类型 (lens Size)	1/4INCH 4P+1R

注: 1. *为关键尺寸;

- 配合连接器: CLE9132-8701F;
- AF为sensor内部控制

DVDD内部供电
AVDD(2.6V~3.0V)
DDVDD(1.8V)
AF_VDD(2.6V~3.3V)

Actuator Specification	
Type	VCM Parameter
Control Mode	IIC
Supply Voltage	2.6V~3.3V
Coil Resistance	23±3 ohm
Rated Current	≤80mA
Rated Stroke	≥0.22mm

TRULY OPTO-ELECTRONICS LTD.

CUSTOMER APPROVE	AMEND	手机摄像模组	PRODUCT NO.	DRAW NO.	REV
Mechanical	Electrical		CM6787-0500BA-E		B
			DWN 李高阳 20111117	DSN 李高阳 20111117	
			CHKD 马亮 20111117	APPD 刘铁楠 20111117	
			ND.	CONTENT	DATE
					20111123
					修改sensor内部尺寸
					ND.

TOLERANCE	UNIT	SHEET
xx ± .20	mm	
x ± .30	mm	
± 1/4	mm	