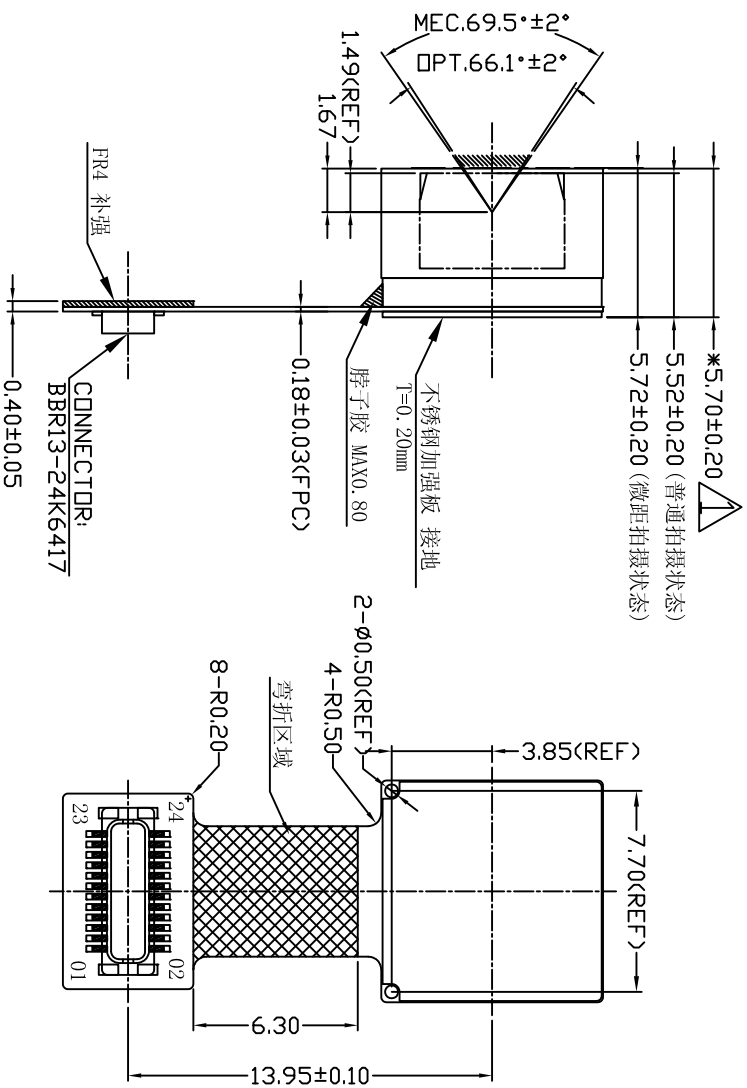
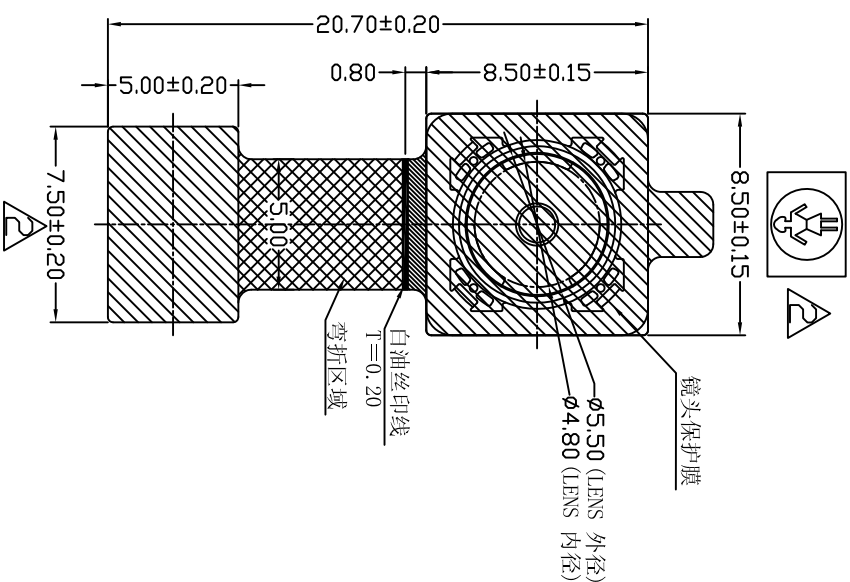


CM6695-B800BA-E Camera Module

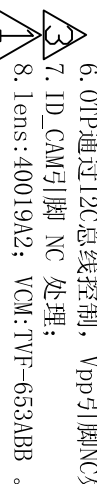
Customer No.:



24PIN DESCRIPTION

Pin No.	SIGNAL
1	DGND
2	ID_NC
3	AF_VDD
4	AF_PWDN
5	SDA
6	DOVDD
7	SCL
8	DVDD (NC)
9	DGND
10	PWDN
11	CLK_N
12	RESET
13	CLK_P
14	DNGD
15	DAT0A_N
16	MCLK
17	DAT0A_P
18	DGND
19	DAT0A_N
20	FLASH
21	DAT0A_P
22	AVDD
23	VPP (NC)
24	AGND

- 备注:
- 带*尺寸为关键尺寸;
 - 未标注圆角为R0.2;
 - FPC整个脖子为弯折区域, FPC使用无胶基材;
 - SID拉低处理, 地址为0x20 (write) and 0x21 (read);
 - PWDN 低电平有效; RESET 低电平有效;
 - OTP通过I2C总线控制, Vpp引脚NC处理;
 - ID_CAM引脚 NC 处理;
 - lens: 40019A2; VCM: TVF-653ABB。



主要参数 (Module Specification)	
焦距 (FPL)	4.39 mm
光圈 (F.NO)	2.4±5%
视场角 (View Angle)	66.1° ± 2°
畸变 (Distortion)	< 1%
景深 (Focusing Range)	10 cm~Infinity
感光芯片 (Chip Type)	0W8830
像素 (Array Size)	8.0M
镜头类型 (Lens Size)	1/3.2 INCH 4P+1R

CUSTOMER APPROVE	Electrical	Mechanical	AMEND	CONTENT	DATE
			修改PIN定义及GND连接法	20111019	
			修改补强长度、影像方向及PIN定义	20111018	
			更换VCM马达型号	20111017	

PRODUCT NO.	DRAW NO.	REV
CM6695-B800BA-E	D	D

TRULY OPTO-ELECTRONICS LTD.	UNIT	SHEET: 1/1
手机摄像模组	mm	

POWER SUPPLY	PARAMETER	VALUE
DVDD:	内供	
DOVDD:	2.6~3.0V	
AVDD:	1.7~3.0V	
AF_VDD:	2.8V~3.3V	

TOLERANCE	UNIT
±.30	mm
±.20	mm
± 1/4	mm

DATE	UNIT	SHEET: 1/1
20111019	mm	